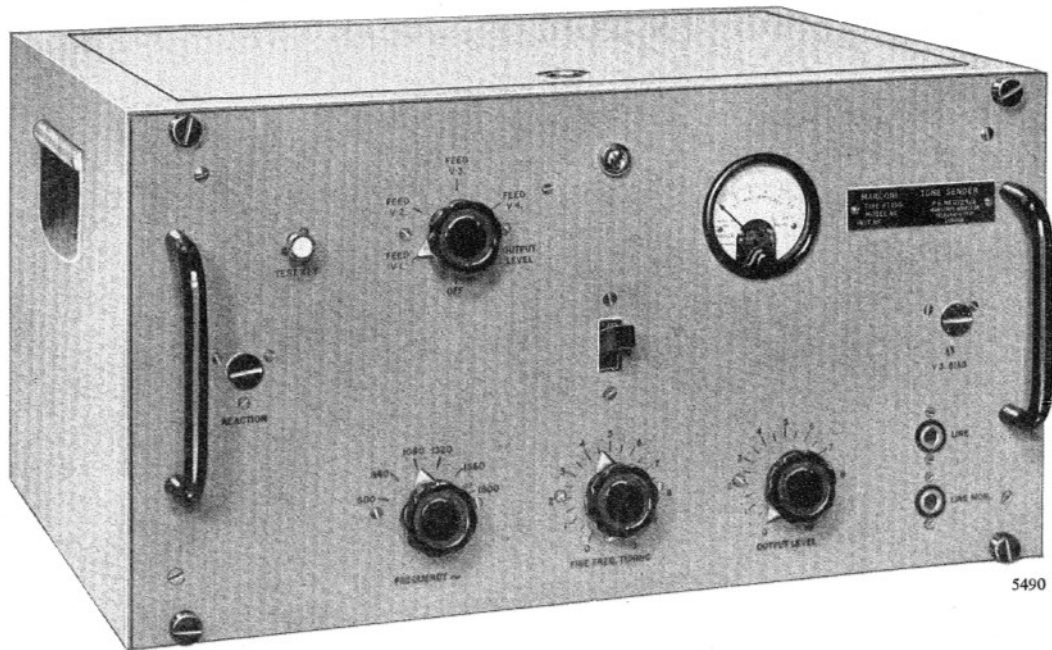




Tone Sender *Type RT 150*



IN CASES where it is desired to pass the output of a telegraph receiving equipment over a line to a control office or other station, it is impracticable to use the receiver beat-frequency output directly, since this does not maintain the necessary constancy. A locally-generated tone is therefore keyed to line by a high-speed recording bridge operated directly from the receiver output.

The Marconi Tone-Sender Type RT 150 has been designed to generate tones for this purpose. Switch-selection is given of any one of six note frequencies between 600 and 1800 c/s and filter circuits are included to ensure the removal of key-clicks and harmonics.

The unit can be keyed through a relay, or directly from the Type RB 150/2 Recording Bridge, and will give an output of up to 10 mW of clear, undistorted tone. This output, which is adjustable, is indicated on a directly-calibrated meter on the front panel.

The inverted-tray type chassis, with its front panel, is fitted on runners which enable it to be withdrawn easily from its case for inspection.

The unit can be supplied for either rack or bench mounting, recessed handles being fitted for use in the latter case, and a flush-fitting lid enabling valves to be changed without withdrawing the chassis. The front panel carries two loop-type

handles which project beyond the controls and support the chassis on the bench, with the front-panel downwards, for servicing.

The instrument consists essentially of an audio-frequency oscillator, a coupling valve whose gain can be varied by an external keying source, band-pass filters and an output stage which can be coupled to a 600 Ω line.

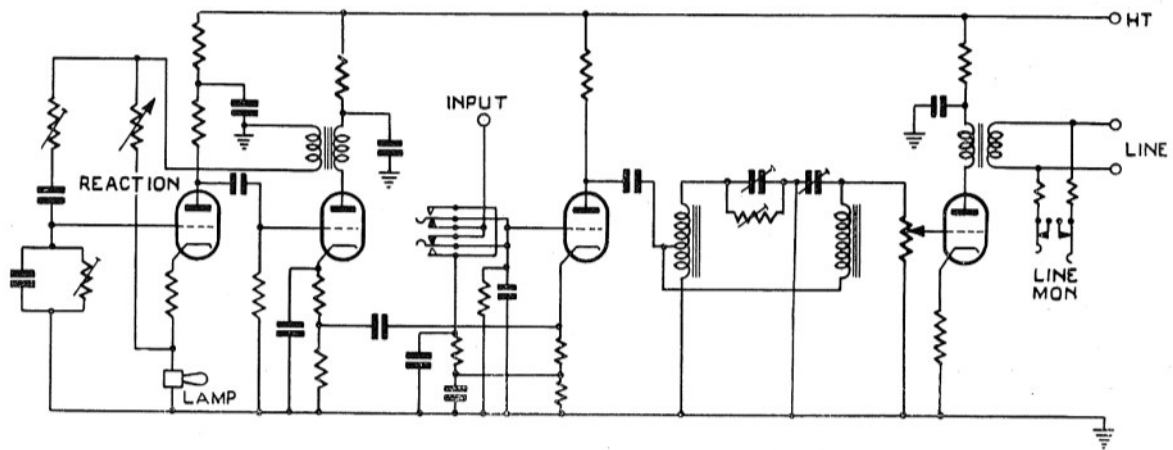
The coupling valve bias adjustment makes it possible to compensate for a variety of mean levels of input keying voltage, and, provided that

the difference between 'mark' and 'space' is not less than 16 V, the instrument will operate perfectly with a 'space' voltage level between -35 and +19.

The tone-sender incorporates its own power unit and is ready for immediate operation from 200-250 V AC mains. The overall dimensions of the rack-mounted equipment are as follows:

Height	Width	Depth	Weight
8 $\frac{3}{4}$ in.	19 in.	14 $\frac{3}{4}$ in.	48 lb
(22.2 cm)	(48.1 cm)	(37.4 cm)	(21.8 kg)

SIMPLIFIED CIRCUIT DIAGRAM



5491

Marconi

MARCONI'S WIRELESS TELEGRAPH COMPANY LIMITED

Head Office: Marconi House, Chelmsford

Telephone: Chelmsford 3221. Telegraphic Address: Expanse, Chelmsford